




Arc Mixer Tap Mains Brushed Nickel

 **Finish:** Brushed Nickel

Product code: 94314

Capacity: Commercial & Residential

Showcasing style and function, the Zip Arc Mixer Tap is an exceptional choice for any kitchen. Featuring an elegant arched swivel spout with high clearance over the sink, there is plenty of room for washing and rinsing. The comfortably designed pin-handle lever regulates water flow with ease and efficiency. With the choice of 7 contemporary finishes your Mixer will be a sophisticated addition to your kitchen and perfectly compliment your Zip HydroTap.

Specifications

Tap	Sink Mixer
Warranty	1 Year (Parts & Labour)
WELS rating	Water Efficiency 5 Stars, Water Consumption 5.5L

Capacity, weight & dimensions

Dimensions	H432mm x W106mm x D256mm
------------	--------------------------

Plumbing

Water supply requirements	Hot & Cold (Mains Only)
Water connection	12.7mmBSP
Water pressure	Min 150kPa - Max 700kPa.

Installation

Installation requirements

Must be installed by a suitably qualified person in accordance with manufacturers instructions and with all relevant plumbing and electrical regulations.

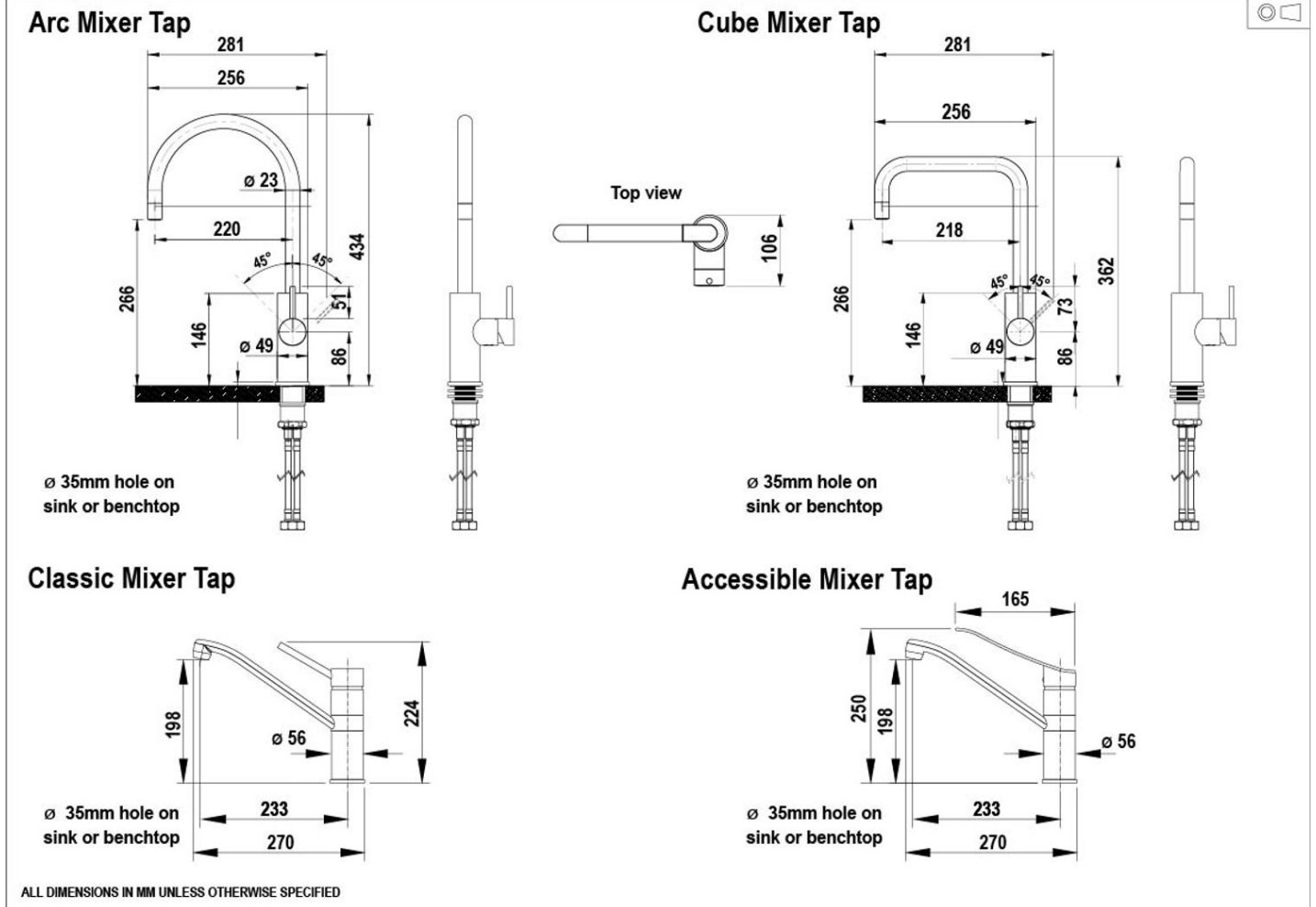
Installation location

On Sink

Files

Installation Layout 3D (DWG)

BKL3 A3 Mixer Taps v1.00 07.21



Installation layout (PDF)

BIM files

LCF

LCF

RFA

RVT

ArchicAD Swift
Globals Library
(LCF)

ArchicAD Zip Water
Library (LCF)

Revit project file
(RFA)

Revit virtual
showroom (RVT)

Download all

Certifications



↓ WELS (PNG)